

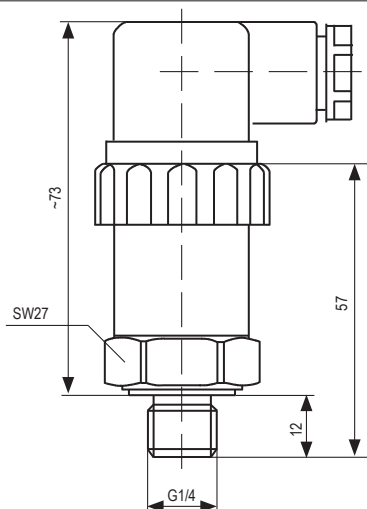


## Membrane Pressure Switch 膜片压力开关

- Adjustment range: 0,2 ... 16 bar
- Snap action micro switch
- Elastomer membrane
- Change over contact SPDT, NC, NO
- E-connection: L-Plug、M12 x 1 or cable outlet
- Power rating: 250V AC / 4A、24V DC / 4A

- 开关范围 : 0,2 ... 16 bar
- 速动微动开关
- 弹性体膜片
- 开关类型为单刀双掷, 常闭、常开
- 电气连接 : L-Plug 插头、M12 × 1 或电缆输出
- 额定功率 : 250V AC / 4A、24V DC / 4A

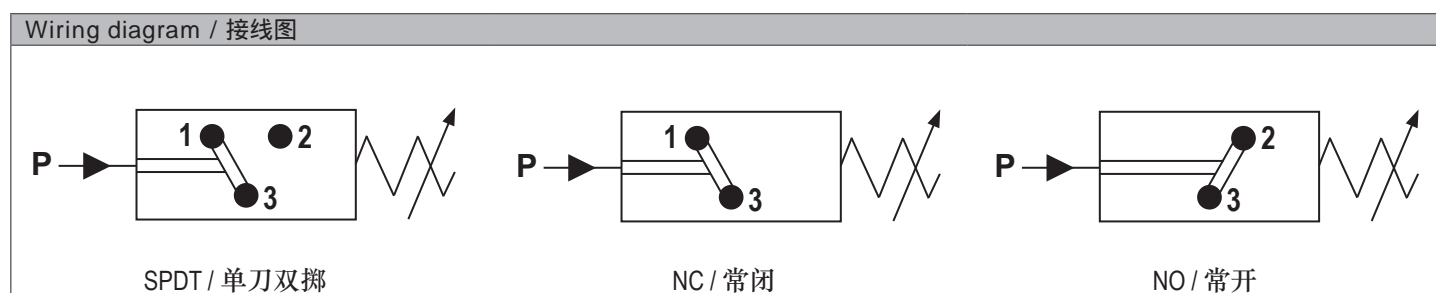
### Drawing / 尺寸图



### Standard types / 标准类型

Series 系列	Adjustment ranges 开关范围	Max. system pressure 最大系统压力	Repeatability 重复性	Max. hysteresis 最大滞后	Measurement element 测量元件	Pressure fitting 过程连接	Material of membrane 膜片材质	Material of housing 本体材质
8720	0,2 ... 2 bar	60 bar	± 0,04 bar	20%	Membrane 膜片	G1/8" G1/4" 1/8NPT 1/4NPT M10 × 1 R1/8" R1/4"	NBR NBR-LowTemp. EPDM FVMQ Viton	Zinc plated steel / 镀锌钢 stainless steel / 不锈钢
8720	0,5 ... 8 bar		± 0,16 bar					
8720	1 ... 16 bar		± 0,32 bar					

Technical Specification / 技术规范				
Adjustment range 开关范围	0,2 ... 2	0,5 ... 8	1 ... 16	[ bar ]
Repeatability 重复性	± 0,04	± 0,16	± 0,32	[ bar ]
Max. system pressure 最大系统压力	60			[ bar ]
Max. hysteresis 最大滞后	0,1 bar + 5 ... 20%, adjustable 0,1 bar + 5 ... 20%, 可调			
Switched voltage 开关电压	AC: ~ 250 / DC: ~ 24			[ V ]
max. switched current resistive load 最大开关电阻负载电流	4			[ A ]
Mechanical lifetime 机械寿命	> 2 × 10 <sup>6</sup> / cycles			
Switching frequency 开关频率	max. 100 cycles / min 最高 100 次 / 分钟			
Material of housing 本体材质	zinc plated steel / stainless steel 镀锌钢 / 不锈钢			
Material of membrane 膜片材质	NBR / NBR-LowTemp. / EPDM / FVMQ / Viton			
Pressure fitting 过程连接	G1/8" / G1/4" / 1/8NPT / 1/4NPT / M10×1 / R1/8" / R1/4"			
Tightening torque, recommended 拧紧扭矩, 推荐	20			[ Nm ]
Vibration resistance 抗振动性	10g (10 ... 2000Hz) sinus acc. to ISO 16750-3 10g 符合 ISO 16750-3 在 10 .. 2000 Hz			
Shock resistance 抗冲击性	30g, 14ms shaped sinus acc. to DIN 40046, T7 30g, 14ms 符合 DIN 40046, T7			
Temperature range of medium 介质温度范围	NBR : -20 ... +80 NBR-LowTemp.: -40 ... +80 EPDM: -40 ... +100 FVMQ: -40 ... +100 Viton: 0 ... +100			[ °C ]
Protection degree 防护等级	IP65 using L-Plug / L-Plug 插头为 IP65 IP67 using plug M12x1 / M12 × 1 为 IP67 IP67 using cable outlet / 电缆输出为 IP67			
Weight 重量	~ 0,15			[ kg ]



# Series 8720 / 8720 系列

Pressure Switch / 压力开关

**aumarg**  
SENSORS & CONTROLS

## Specification key / 规格代码

8720 - [ ] - [ ] - [ ] - [ ] - [ ] - [ ] - [ ]

Pressure adjustment range / 压力设置范围	
73	0,2 ... 2 bar
44	0,5 ... 8 bar
78	1 ... 16 bar

Output signal / 输出信号	
3	SPDT / 单刀双掷
1	NC / 常闭
2	NO / 常开

Membrane / 膜片材质		
N	NBR	-20 ... +80°C
L	NBR-LowTemp.	-40 ... +80°C
E	EPDM	-40 ... +100°C
F	FVMQ	-40 ... +100°C
V	Viton	0 ... +100°C

Material of housing / 本体材质	
Z	zinc plated steel / 镀锌钢
S	stainless steel / 不锈钢

Options / 选项	
W	without / 无
XX,XX	Factory preset / 工厂预设开关点 <sup>1)</sup>
C	1,5m cable with socket M12 / 1,5米电缆

<sup>1)</sup> set point adjustment increasing or decreasing.  
<sup>1)</sup> 设置开关点为上升或下降压力。

E-connection / 电气连接	
51	L-Plug EN 175301-803-A / L-Plug 插头
64	M12 x 1 / 圆形 M12 x 1
71	cable outlet / 电缆输出

Pressure fitting / 过程连接	
11	G1/8"
12	G1/4"
31	1/8NPT
32	1/4NPT
51	M10x1
41	R1/8"
42	R1/4"

### Sample:

**8720-44-3-N-Z-12-51-4,0F**

Pressure Switch

Type: 8720

Adjustment range: 0,5 ... 8 bar

Output signal: SPDT

Membrane: NBR

Material of housing: zinc plated steel

Pressure fitting: G1/4"

E-connection: L-Plug acc. to DIN EN 175301-803

Option: Factory preset switch SP=4,0 bar falling

### 举例:

**8720-44-3-N-Z-12-51-4,0F**

压力开关

型号: 8720

压力设置范围: 0,5 ... 8 bar

输出信号: SPDT

膜片材质: NBR

本体材质: 镀锌钢

压力接头: G1/4"

电气连接: L-Plug 插头

选项: 工厂预设开关, 开关点 =4,0 bar 下降