

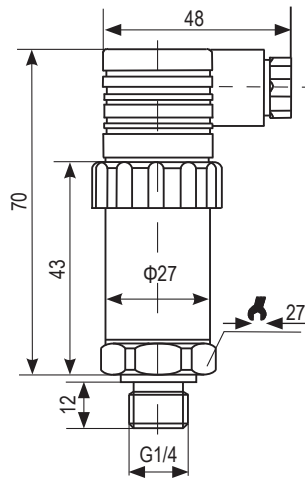


Pressure Transmitter 压力变送器

- Measuring ranges from 0 ... 0,4 bar to 0 ... 400 bar
- Output signal: 4 ... 20 mA or 0 ... 10 V
- Proven ceramic technology
- E-connection: L-Plug, M12×1 or cable outlet
- Without transmission liquid
- Process connection G1/4", 1/4NPT and others

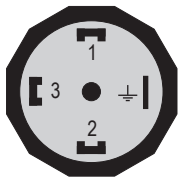
- 测量范围从 0 ... 0,4 bar 到 0 ... 400 bar
- 输出信号: 4 ... 20 mA 或 0 ... 10 V
- 成熟的陶瓷技术
- 电气连接: L-Plug 插头, M12×1 插头或电缆输出
- 无传递液体
- 过程连接为 G1/4", 1/4NPT 或其他

Drawing / 尺寸图



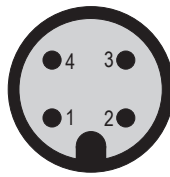
Wiring diagram / 接线图

L-Plug



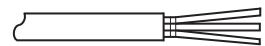
| Pin / 针 | 4 ... 20 mA | 0 ... 10 V |
|---------|------------------|------------------|
| 1 | U _b + | U _b + |
| 2 | S+ | 0 V / S- |
| 3 | --- | S+ |
| ⊥ | --- | --- |

M12 × 1



| Pin / 针 | 4 ... 20 mA | 0 ... 10 V |
|---------|------------------|------------------|
| 1 | U _b + | U _b + |
| 2 | --- | --- |
| 3 | S+ | 0 V / S- |
| 4 | --- | S+ |

Cable outlet / 电缆出线



| Cable / 线缆 | 4 ... 20 mA | 0 ... 10 V |
|------------|------------------|------------------|
| red / 红 | U _b + | U _b + |
| black / 黑 | --- | 0 V / S- |
| yellow / 黄 | S+ | S+ |
| white / 白 | --- | --- |

| Technical Specification / 技术规范 | | | | | | | | | |
|---|--|-----------|----------|-----------|-----------|-----------|-----------|-----------|--------------|
| Pressure range 测量范围 | 0 ... 0,4 | 0 ... 0,6 | 0 ... 1 | 0 ... 1,6 | 0 ... 2,5 | 0 ... 4 | 0 ... 6 | 0 ... 10 | [bar] |
| Overload limit 过载极限 | ≤ 1 | ≤ 2 | ≤ 2 | ≤ 4 | ≤ 10 | ≤ 10 | ≤ 15 | ≤ 15 | [bar] |
| Burst pressure 爆破压力 | ≥ 2 | ≥ 3 | ≥ 3 | ≥ 4 | ≥ 12 | ≥ 12 | ≥ 20 | ≥ 20 | [bar] |
| Pressure range 测量范围 | 0 ... 16 | 0 ... 25 | 0 ... 40 | 0 ... 60 | 0 ... 100 | 0 ... 160 | 0 ... 250 | 0 ... 400 | [bar] |
| Overload limit 过载极限 | ≤ 35 | ≤ 100 | ≤ 100 | ≤ 150 | ≤ 150 | ≤ 350 | ≤ 500 | ≤ 500 | [bar] |
| Burst pressure 爆破压力 | ≥ 50 | ≥ 120 | ≥ 120 | ≥ 200 | ≥ 200 | ≥ 500 | ≥ 650 | ≥ 650 | [bar] |
| Measuring principle 测量原理 | thick film on ceramic / 陶瓷厚膜 | | | | | | | | |
| Supply voltage 供电电压 | 8 ... 36 | | | | | | | | [V DC] |
| Output signal 输出信号 | 4 ... 20 mA, 2-wires or 0 ... 10 V, 3-wires 4 ... 20 mA, 2 线制或 0 ... 10 V, 3 线制 | | | | | | | | |
| Permitted load 允许载荷 | 4 ... 20 mA: ≤ (U _b -8V)/0.02A 0 ... 10 V: > 10KΩ | | | | | | | | |
| Current consumption 电流消耗 | 4 ... 20 mA: ≤ 25 mA 0 ... 10 V: 8 mA | | | | | | | | [mA] |
| Accuracy 精度 | ≤ ± 0.25 | | | | | | | | [%] |
| Repeat accuracy 重复精度 | ≤ ± 0.02 | | | | | | | | [% F.S.] |
| Compensated temperature range 补偿温度范围 | 0 ... 70 | | | | | | | | [°C] |
| Temperature error zero point 零点温度误差 | ≤ ± 0.04 | | | | | | | | [% F.S./K] |
| Temperature error range 量程温度误差 | ≤ ± 0.014 | | | | | | | | [% F.S./K] |
| Operating temperature 工作温度 | -30 ... +125 | | | | | | | | [°C] |
| Storage temperature 储存温度 | -40 ... +150 | | | | | | | | [°C] |
| Ambient temperature 环境温度 | -25 ... +85 | | | | | | | | [°C] |
| Response time 响应时间 | ≤ 1 | | | | | | | | [ms] |
| Vibration resistance 抗振性 | 10g (4 ... 500Hz) sinus acc. to DIN EN 60068-2-6 10g 符合 DIN EN 60068-2-6 在 4 .. 500 Hz | | | | | | | | |
| Shock resistance 抗冲击性 | 50 g; 8 ms; DIN EN 60068-2-27 50g, 8 ms 符合 DIN EN 60068-2-27 | | | | | | | | |
| Housing 外壳材质 | Stainless Steel 316L / 不锈钢 316L | | | | | | | | |
| Wetted parts 接触部件 | Ceramic measuring cell, Stainless Steel 316L, Sealing material 陶瓷测量芯体, 不锈钢 316L, 密封材料 | | | | | | | | |
| Service life 使用寿命 | > 10 million cycles / > 1000 万次循环 | | | | | | | | |
| Fitting thread 过程连接 | G1/4" male thread (others on request) G1/4" 外螺纹 (其他按要求提供) | | | | | | | | |
| Electrical connection 电气连接 | L-Plug, M12×1 or cable outlet L-Plug 插头、M12×1 插头或电缆出线 | | | | | | | | |
| Reverse polarity and short circuit protection 反极性和短路保护 | Yes / 带 | | | | | | | | |
| Protection degree 防护等级 | IP65 using L-Plug / L-Plug 插头为 IP65 IP67 using M12×1 or cable outlet/ M12×1 插头或电缆出线为 IP67 | | | | | | | | |

Series 8312 / 8312 系列

Pressure Transmitter / 压力变送器

aumarg
SENSORS & CONTROLS

Specification key / 规格代码

8312 - - - - - -

| Measuring range / 测量范围 | |
|------------------------|---------------|
| 69 | 0 ... 0,4 bar |
| 70 | 0 ... 0,6 bar |
| 71 | 0 ... 1 bar |
| 72 | 0 ... 1,6 bar |
| 74 | 0 ... 2,5 bar |
| 75 | 0 ... 4 bar |
| 76 | 0 ... 6 bar |
| 77 | 0 ... 10 bar |
| 78 | 0 ... 16 bar |
| 80 | 0 ... 25 bar |
| 81 | 0 ... 40 bar |
| 82 | 0 ... 60 bar |
| 83 | 0 ... 100 bar |
| 84 | 0 ... 160 bar |
| 85 | 0 ... 250 bar |
| 87 | 0 ... 400 bar |

| Output signal / 输出信号 | |
|----------------------|-------------|
| 19 | 4 ... 20 mA |
| 17 | 0 ... 10 V |

| O-ring / 密封圈材质 | | |
|----------------|-----------|----------------|
| N | NBR | -30 ... +80°C |
| F | FKM / FPM | -20 ... +125°C |

| Options / 选项 | |
|--------------|-------------|
| W | without / 无 |
| B | 2 m |
| E | 5 m |
| K | 10 m |

| E-connection / 电气连接 | |
|---------------------|------------------------------------|
| 51 | L-Plug EN 175301-803-A / L-Plug 插头 |
| 64 | M12 × 1 / M12 × 1 插头 |
| 71 | Cable outlet / 电缆出线 |

| Pressure fitting / 过程连接 | |
|-------------------------|------------------|
| 22 | G1/4" EN837 |
| 12 | G1/4" DIN 3852-E |
| 32 | 1/4NPT |

Sample:

8312-85-19-N-22-51-W

Pressure Transmitter
Type: 8312
Measuring range: 0 ... 250 bar
Output signal: 4 ... 20 mA, 2-wires
Power supply: 8 ... 36V DC
Sealing: NBR
Material of housing: stainless steel 316L
Operating temperature: -30 ... +80°C
Pressure fitting: G1/4" EN 827
E-connection: L-Plug acc. to DIN EN 175301-803
Protection type: IP65

举例:

8312-85-19-N-22-51-W

压力变送器
型号: 8312
测量范围: 0 ... 250 bar
输出信号: 4 ... 20 mA, 2 线制
供电电压: 8 ... 36V DC
密封材质: NBR
本体材质: 不锈钢 316L
介质温度: -30 ... +80°C
过程连接: G1/4" EN837
电气连接: L-Plug 插头
防护等级: IP65