

2/2 way Diaphragm Valve, stainless steel body, pneumatically operated, port connection DN8-50



Type 2031 GP with threaded ports or weld end

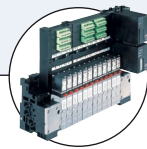
- Cold-formed pipe valve body, several variants available
- Flow-optimised
- Zero dead volume
- Variety of applications up to + 143 °C

Type 2031 GP can be combined with...



Type 8697

Electrical position feedback



Type 8640/8644

Valve block



Type 6012/6014 P

Pilot valve



Type 8311

Pressure Sensor/ Switch

For process valves with decentralized automation see ELEMENT Type 2103



Pilot controlled diaphragm valve with pneumatically operated piston actuator and valve body from cold-formed stainless steel pipe. Actuator from PA or PPS.

Technical data	
Port Connection	DN8-50
Body material	Stainless steel 1.4404
Actuator materials	PA polyamide, PPS
Pilot air ports	Stainless steel 1.4305
Diaphragm materials	EPDM (AD), PTFE/EPDM (EA), advanced PTFE/EPDM (EU) and FKM (FF) on request
Medium	Neutral gases and liquids, high-purity, sterile, aggressive or abrasive fluids
Viscosity	Up to viscous
Surface finish	(Average surface finish)
Glass beaded (internal/external)	Ra ≤ 1.6 µm
Media temperature	
PTFE/EPDM (EA)	- 10 to + 130 °C (steam sterilisation + 140 °C for 60 min)
EPDM (AD), advanced PTFE/EPDM (EU)	- 10 to + 143 °C (steam sterilisation + 150 °C for 60 min)
FKM (FF)	- 5 to + 143 °C (steam sterilisation + 150 °C for 60 min) 0 to + 130 °C (not recommended for steam)
Ambient temperature	
PA actuator	- 10 to + 60 °C
PPS actuator	+ 5 to + 140 °C (actuator size ≥ 100 mm + 5 to + 90 °C) briefly up to + 140 °C
Control medium	Neutral gases; air
Port connections	
Weld end acc. to	EN ISO 1127/ISO 4200, DIN 11850 S2
Flange acc. to	DIN EN 1092-1
Threaded ports	G
Installation	As required, preferably with actuator in upright position

Content



Valve specifications

Type 2031 GP

Technical data & ordering info.

p. 1-9



System spec. On/Off Classic

Type 8801-DB

Ordering info. & technical data

p.10-11

Request for quotation

Type 8801-DB

p. 12

Technical data, *continued*

Port Connection DN [mm]	Orifice (Dia-phragm-size) [mm]	K _v value water [m ³ /h]	Actuator size Ø [mm]	Pilot pressure [bar]			Max. operating pressure for seal material [bar]		Weight [kg]	
				min.	max. with actuator		EPDM, FKM	PTFE/EPDM, advanced PTFE/EPDM	Flange acc. DIN EN 1092-1	Weld end. acc. EN ISO 1127/4200 and threaded port
					PPS	PA				
Flange acc. DIN EN 1092-1, weld end acc. EN ISO 1127/ISO 4200 and threaded port										
8	8	1.0	40	5.0	7	-	10	10	-	0.5
15	15	6.5	50	5.0	7	10	8.5	5	2.1	0.7
		7.0	63	5.0	7	10	10	10	2.3	0.9
20	20	12.0	63	5.5	7	10	10	5	3.0	1.2
		13.0	80	5.0	7	10	10	10	3.5	1.8
25	25	18.0	63	5.0	7	10	3	-	3.5	1.4
		21.0	80	5.5	7	10	10	7.5	4.3	2.2
32	32	33.0	100	5.5	7	10	10	8	6.8	3.7
			100 ¹⁾	3.0	7	10	3.5	-	6.8	3.7
40	40	45.0	100	5.5	7	10	6.5	6	7.4	4.0
			100 ¹⁾	2.5	7	10	1.5	-	7.4	4.0
		46.0	125	5.5	7	7	10	10	9.9	6.5
50	50	56.0	100	5.5	7	10	4.5	2.5	9.2	4.5
		70.0	125	5.5	7	7	8.0	7	11.6	7.0
Weld end acc. DIN 11850 series 2									Weight [kg] weld end acc. DIN 11850 S2	
10	8	1.0	40	5.0	7	-	10	10	0.5	
15	15	4.0	50	5.0	7	10	9	9	0.7	
		4.5	63	5.0	7	10	10	10	0.9	
20	15	4.0	50	5.0	7	10	9	9	1.2	
		4.5	63	5.0	7	10	10	10	1.8	
25	20	12.5	63	5.0	7	10	10	8	1.4	
		13.5	80	5.5	7	10	10	10	2.2	
32	25	17.0	63	5.0	7	10	3	-	3.7	
		18.0	80	5.5	7	10	10	8	3.7	
40	32	24.5	100	5.5	7	10	10	8	4.0	
50	40	35.0	100	5.5	7	10	8	8	4.5	
		37.0	125	5.5	7	7	10	10	7.0	

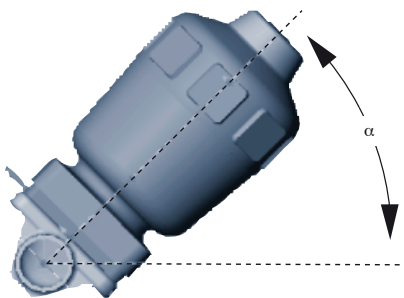
¹⁾ With reduced spring force; preferred at lower media pressures

Remark: For low operating pressures we recommend reduced spring versions

Flow rate: K_v value water (m³/h): Measured at +20 °C, 1 bar pressure at valve inlet and free outlet.

Pressure values (bar): Gauge pressures with respect to the prevailing atmospheric pressure.

Recommendation for draining operation



$\alpha = 15$ up to 35° plus 3° to 5° inclination to the pipe axis.
Installation as required, preferably with actuator in upright position.
Tilted 15 to 35° to the horizontal and inclined 1 to 5° to the flow direction for draining operation.

Ordering chart for valves (other versions on request)

Body with flange connection acc. DIN EN 1092-1

Surface glass-beaded internal/external, average roughness 1.6 µm

Control function	Port Connection [mm] DN	Orifice (Diaphragm size) [mm]	(Amount of holes)	K _v value water [m ³ /h]	Actuator size Ø [mm]	Min. pilot pressure [bar]	Max. operating pressure [bar]	Article no. PPS actuator	Article no. PA actuator		
A 2/2 way, NC by spring return	Diaphragm material EPDM (AD)										
	15	15	flange	6.5	50	5.0	8.5	324917	318455		
				7	63	5.0	10	324918	320998		
				20	20	12	63	5.5	10	318514	321003
						13	80	5.0	10	324920	318513
				25	25	18	63	5.0	3.0	324923	318538
						21	80	5.5	10	324924	321007
				32	32	33	100	5.5	10	324926	321011
						33	100 ¹⁾	3.0	3.5	324928	324925
				40	40	45	100	5.5	6.5	324934	321015
						45	100 ¹⁾	2.5	1.5	324935	318591
	50	50	46	125	5.5	10	318592	321016			
			56	100	5.5	4.5	324943	324942			
				70	125	5.5	8	324944	321021		
	Diaphragm material PTFE/EPDM (EA)										
			flange	6.5	50	5.0	5	143077	143076		
				7	63	5.0	10	137105	137104		
				20	20	12	63	5.5	5	143085	143084
						13	80	5.0	10	137111	137110
				25	25	21	80	5.5	7.5	137117	137116
32						32	5.5	8	137123	137122	
40				40	45	100	5.5	6	143091	143090	
					46	125	5.5	10	137131	137130	
50				50	56	100	5.5	2.5	143095	143094	
					70	125	5.5	7	137137	137136	

¹⁾ With reduced spring force; preferred at lower media pressures

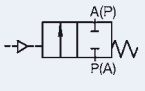
i Further versions on request

- Materials**
Diaphragms for steam sterilization advanced PTFE / EPDM (EU) and FKM (FF)
- Control function**
B normally open, I double-acting actuator
- Port connection**
Clamp acc. to ISO 2852/SMS 3017

Ordering chart for valves (other versions on request), *continued*

Body with weld end acc. to EN ISO 1127/ISO 4200

Surface glass-beaded internal/external, average roughness 1.6 µm

Control function	Port Connection [mm] DN	Orifice (Diaphragm size) [mm]	Outer size Ø [mm]	K _v value water [m ³ /h]	Actuator size Ø [mm]	Min. pilot pressure [bar]	Max. operating pressure [bar]	Article no. PPS actuator	Article no. PA actuator
A  2/2 way, NC by spring return	Diaphragm material EPDM (AD)								
	8	8	13.5	1.0	40	5.0	10	318412	-
	15	15	21.3	6.5	50	5.0	8.5	318463	316053
				7	63	5.0	10	318466	320999
	20	20	26.9	12	63	5.5	10	324922	321005
				13	80	5.0	10	318518	318517
	25	25	33.7	18	63	5.0	3.0	318549	318544
				21	80	5.5	10	318550	321009
	32	32	42.4	33	100	5.5	10	318588	321013
				33	100 ¹⁾	3.0	3.5	324932	324931
	40	40	48.3	45	100	5.5	6.5	318597	319582
				45	100 ¹⁾	2.5	1.5	324937	318596
				46	125	5.5	10	324938	321019
	50	50	60.3	56	100	5.5	4.5	324947	324946
				70	125	5.5	8	318623	321024
	Diaphragm material PTFE/EPDM (EA)								
	8	8	13.5	1.0	40	5.0	10	135446	137096
	15	15	21.3	6.5	50	5.0	5	143055	141290
				7	63	5.0	10	134311	141576
	20	20	26.9	12	63	5.5	5	143057	143056
				13	80	5.0	10	134312	141583
	25	25	33.7	21	80	5.5	7.5	134313	141589
	32	32	42.4	33	100	5.5	8	134314	141595
	40	40	48.3	45	100	5.5	6	143058	141652
				46	125	5.5	10	134315	141605
	50	50	60.3	56	100	5.5	2.5	143059	143098
				70	125	5.5	7	134316	141614

¹⁾ With reduced spring force; preferred at lower media pressures**i Further versions on request****Materials**

Diaphragms for steam sterilization advanced PTFE / EPDM (EU) and FKM (FF)

**Control function**

B normally open, I double-acting actuator

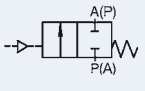
**Port connection**

Clamp acc. to ISO 2852/SMS 3017

Ordering chart for valves (other versions on request), *continued*

Body with weld end acc. to DIN 11850 S2

Surface glass-beaded internal/external, average roughness 1.6 µm

Control function	Port Connection [mm] DN	Orifice (Diaphragm size) [mm]	Outer size Ø [mm]	K _v value water [m ³ /h]	Actuator size Ø [mm]	Min. pilot pressure [bar]	Max. operating pressure [bar]	Article no. PPS actuator	Article no. PA actuator
A  2/2 way, NC by spring return	Diaphragm material EPDM (AD)								
	10	8	13.0	1.0	40	5.0	10	259155	-
	15	15	19.0	4.0	50	5.0	9	318469	259156
				4.5	63	5.0	10	318471	321000
	20	15	23.0	4.0	63	5.0	10	259157	321006
				12.5	63	5.0	10	259158	318551
	25	20	29.0	13.5	80	5.5	10	318552	321010
				18.0	80	5.5	10	324933	321014
	40	32	41.0	24.5	100	5.5	10	324940	321020
				24.5	100 ¹⁾	3.0	3.5	324941	324939
	50	40	53.0	35	100	5.5	8	324949	321025
				35	100 ¹⁾	2.5	1.5	324950	324948
				37	125	5.5	10	324951	321026
	Diaphragm material PTFE/EPDM (EA)								
	10	8	13.0	1.0	40	5.0	10	138512	138511
	15	15	19.0	4.0	50	5.0	9	143081	143080
				4.5	63	5.0	10	138518	141577
	20	15	23.0	4.0	50	5.0	9	143083	143082
				4.5	63	5.0	10	138524	138523
	25	20	29.0	12.5	63	5.0	8	143089	143088
				13.5	80	5.5	10	138530	138529
	32	25	35.0	18.0	80	5.5	8	138536	138535
	40	32	41.0	24.5	100	5.5	8	138542	138541
	50	40	53.0	35	100	5.5	8	143099	143060
				37	125	5.5	10	138550	138549

¹⁾ With reduced spring force; preferred at lower media pressures**i Further versions on request****Materials**

Diaphragms for steam sterilization advanced PTFE / EPDM (EU) and FKM (FF)

**Control function**

B normally open, I double-acting actuator

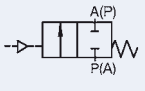
**Port connection**

Clamp acc. to ISO 2852/SMS 3017

Ordering chart for valves (other versions on request), *continued*

Body with threaded port

Surface glass-beaded internal/external, average roughness 1.6 µm

Control function	Port Connection [mm] DN	Orifice (Diaphragm size) [mm]	Outer size Ø [mm]	K _v value water [m ³ /h]	Actuator size Ø [mm]	Min. pilot pressure [bar]	Max. operating pressure [bar]	Article no. PPS actuator	Article no. PA actuator
A  2/2 way, NC by spring return	Diaphragm material EPDM (AD)								
	8	8	G ¼	1.0	40	5.0	10	318409	-
	15	15	G ½	6.5	50	5.0	8.5	294308	318456
				7	63	5.0	10	318460	318458
	20	20	G ¾	12	63	5.5	10	318516	321004
				13	80	5.0	10	324921	318515
	25	25	G 1	18	63	5.0	3.0	318540	318539
				21	80	5.5	10	318542	321008
	32	32	G 1¼	33	100	5.5	10	324929	321012
				33	100 ¹⁾	3.0	3.5	324930	318587
	40	40	G 1½	45	100	5.5	6.5	318594	321017
				45	100 ¹⁾	2.5	1.5	324936	318593
				46	125	5.5	10	318595	321018
	50	50	G 2	56	100	5.5	4.5	318622	321022
				70	125	5.5	8	324945	321023
	Diaphragm material PTFE/EPDM (EA)								
	8	8	G ¼	1.0	40	5.0	10	135447	137097
	15	15	G ½	6.5	50	5.0	5	143079	143078
				7	63	5.0	10	135474	141575
	20	20	G ¾	12	63	5.5	5	143087	143086
				13	80	5.0	10	135493	141582
	25	25	G 1	21	80	5.5	7.5	135516	141588
	32	32	G 1¼	33	100	5.5	8	135542	141594
	40	40	G 1½	45	100	5.5	6	143093	143092
46				125	5.5	10	135572	141604	
50	50	G 2	56	100	5.5	2.5	143097	143096	
			70	125	5.5	7	135594	141613	

¹⁾ With reduced spring force; preferred at lower media pressures**i Further versions on request****Materials**

Diaphragms for steam sterilization advanced PTFE / EPDM (EU) and FKM (FF)

**Control function**

B normally open, I double-acting actuator

**Port connection**

Clamp acc. to ISO 2852/SMS 3017

Ordering chart for accessories

3/2 way pilot valves with banjo bolts

Seal material valve FKM, seal material banjo bolt NBR

Valve for actuator size [Ø mm]	Type	Pressure inlet P (valve body)	Service port A (banjo bolt)	Orifice [mm]	Q _{nn} value air [l/min]	Pressure range [bar]	Electrical coil connection Ind. Std.	Power consumption [W]	Article no. voltage/frequency [V/Hz]	
									024/DC	230/50
40 - 50	6012P	G ¼	G ½	1.2	48	0 - 10	Form B	4	552295	552298
63	6012P	Tube fitting Ø6 mm	G ¼	1.2	48	0 - 10	Form B	4	552283	552286
80 - 125	6014P	G ¼	G ¼	2	120	0 - 10	Form A	8	424103	424107

Cable plug Type 2507, Form B or Type 2508, Form A

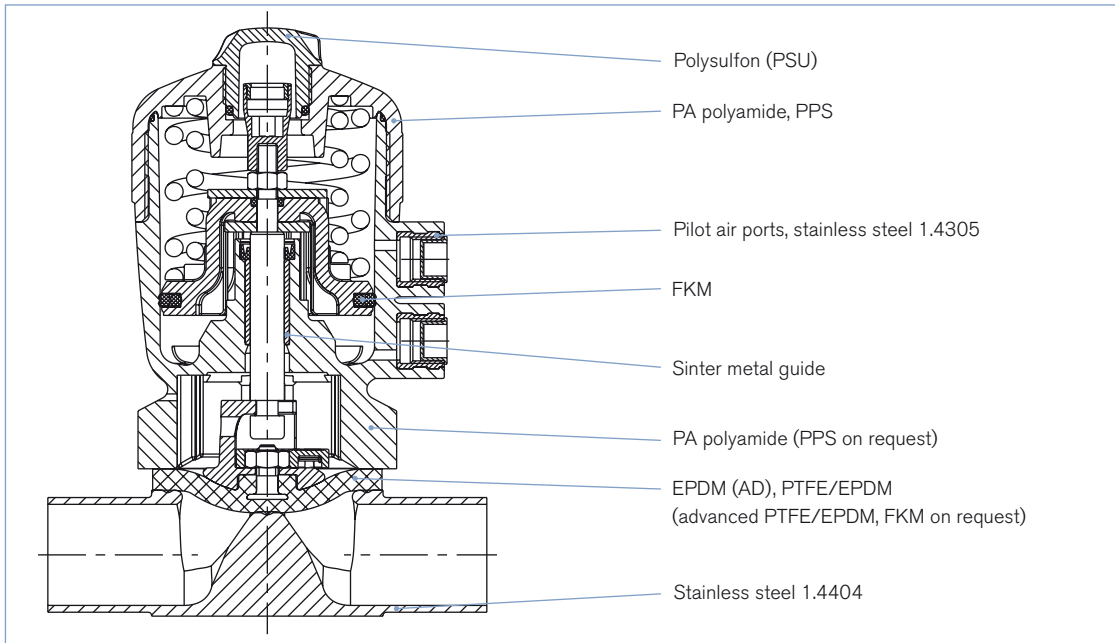
	Article no.
Type 2507, Form B Industrial standard, 0 to 250 V without circuitry (Type 6012 P)	423845
Type 2508, Form A acc. DIN EN 175301 - 803, 0 to 250 V without circuitry (Type 6014 P, Type 0331P)	008376

For further accessories see the datasheet for Type 1062 or the accessories datasheet, Type 2XXX for the full options programme.

Note: For design reasons, some of the accessories cannot be supplied for actuator size Ø 40, 175 and 225 mm. Please request the accessories datasheet Type 2XXX.

Materials

DN8 - 50



Approvals

Suitability for foodstuffs / sterile applications



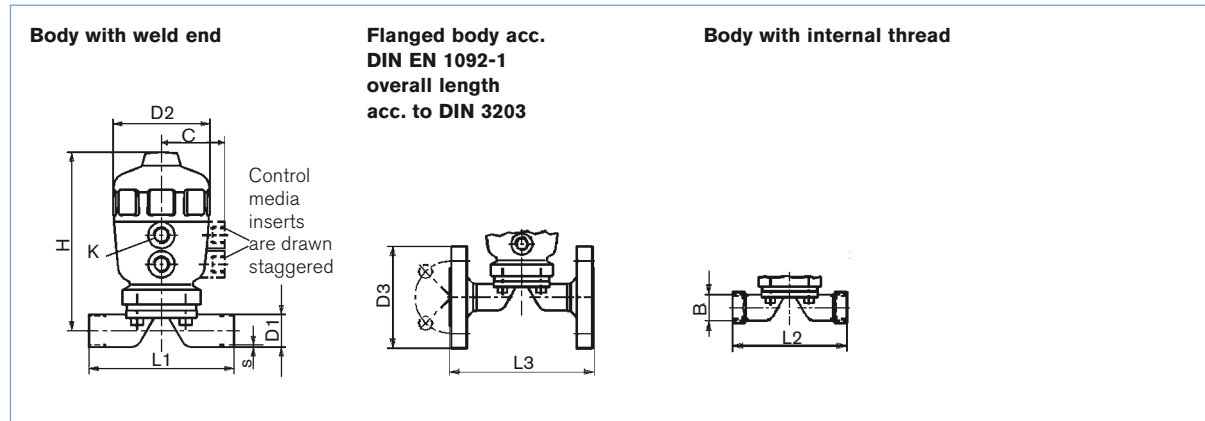
- The composition of the PTFE/EPDM (EA) and advanced PTFE (EU) diaphragms corresponds to the Code of Federal Regulations, published by the FDA (Food and Drug Administration, USA).



- The composition of the PTFE/EPDM (EA) and advanced PTFE (EU) diaphragms is suitable for the application with food and beverage (acc. to EC-Regulation 1935/2004/EC)
- The composition of the PTFE/EPDM (EA) und advanced PTFE (EU) diaphragms are approved acc. USP Class VI
- Approval according to TA-air (Port size DN4 - 50)

Dimensions [mm]

Orifice 8 - 50



Port Connection [mm]	Actuator size Ø [mm]	D2	C	H	K	Weld ends acc. to						Flange DIN EN 1092-1		Threaded port G-thread	
						EN ISO 1127/ ISO 4200			DIN 11850 S2			D3	L3	B	L2
						D1	L1	s	D1	L1	s				
8	40	53	34	85	G 1/8	13.5	90	1.6	-	-	-	-	-	G 1/4	85
10	40	53	34	85	G 1/8	-	-	-	12.9	90	1.3	-	-	-	-
15	50	64	39	122	G 1/8	21.3	110	1.6	19	110	1.5	95	130	G 1/2	102
		63	80	139	G 1/4	21.3	110	1.6	19	110	1.5	95	130	G 1/2	102
20	50	64	39	124	G 1/8	-	-	-	23	119	1.5	-	-	-	-
				140	G 1/4	-	-	-	23	119	1.5	-	-	-	-
				148	G 1/4	26.9	119	1.6	-	-	-	105	150	G 3/4	118
25	63	80	52	174	G 1/4	26.9	119	1.6	-	-	-	105	150	G 3/4	118
				149	G 1/4	-	-	-	29	129	1.5	-	-	-	-
				157	G 1/4	33.7	129	2	-	-	-	115	160	G 1	127
				170	G 1/4	-	-	-	29	129	1.5	-	-	-	-
32	80	101	60	177	G 1/4	33.7	129	2	-	-	-	115	160	G 1	127
				157	G 1/4	-	-	-	35	148	1.5	-	-	-	-
				177	G 1/4	-	-	-	35	148	1.5	-	-	-	-
40	100	127	73	230	G 1/4	42.4	148	2	-	-	-	140	180	G 1 1/4	146
				235	G 1/4	48.3	161	2	-	-	-	150	200	G 1 1/2	159
				227	G 1/4	-	-	-	41	161	1.5	-	-	-	-
50	125	153	86	274	G 1/4	48.3	161	2	-	-	-	150	200	G 1 1/2	159
				237	G 1/4	-	-	-	53	192	1.5	-	-	-	-
				244	G 1/4	60.3	192	2	-	-	-	165	230	G 2	191
				274	G 1/4	-	-	-	53	192	1.5	-	-	-	-
50	125	153	86	278	G 1/4	60.3	192	2	-	-	-	165	230	G 2	191
				278	G 1/4	60.3	192	2	-	-	-	165	230	G 2	191

DTS 1000049857 EN Version: S Status: RL (released | freigegeben | valide) printed: 11.02.2020

Ordering information for valve system On/Off CLASSIC Type 8801-DB

An **diaphragm valve Type 2031** can be combined with the **feedback Type 8697** to form a **valve system On/Off CLASSIC**.

The valve system On/Off CLASSIC is composed of: [More info.](#)

- a feedback **Type 8697** (see separate datasheet)
- an diaphragm valve **Type 2031** (see ordering chart)

For the configuration of further valve systems please use the "Request for quotation".

You order two components and receive a complete assembled and certified valve.



Electrical position feedback

[More info.](#)



Type 8697

Actuator size 40 to 225

The position feedback Type 8697 is designed for integrated mounting on CLASSIC series 20XX process valves suiting the requirements of hygienic process environment. Mechanical or inductive limit switches register the position of the valve.

Features

- Compact design
- LED position indicator
- Mechanical or inductive limit switches for end position registering
- Easy to clean chemically resistant housing featuring IP65 / IP67, 4X Rating
- Optional intrinsically safe version acc. to ATEX

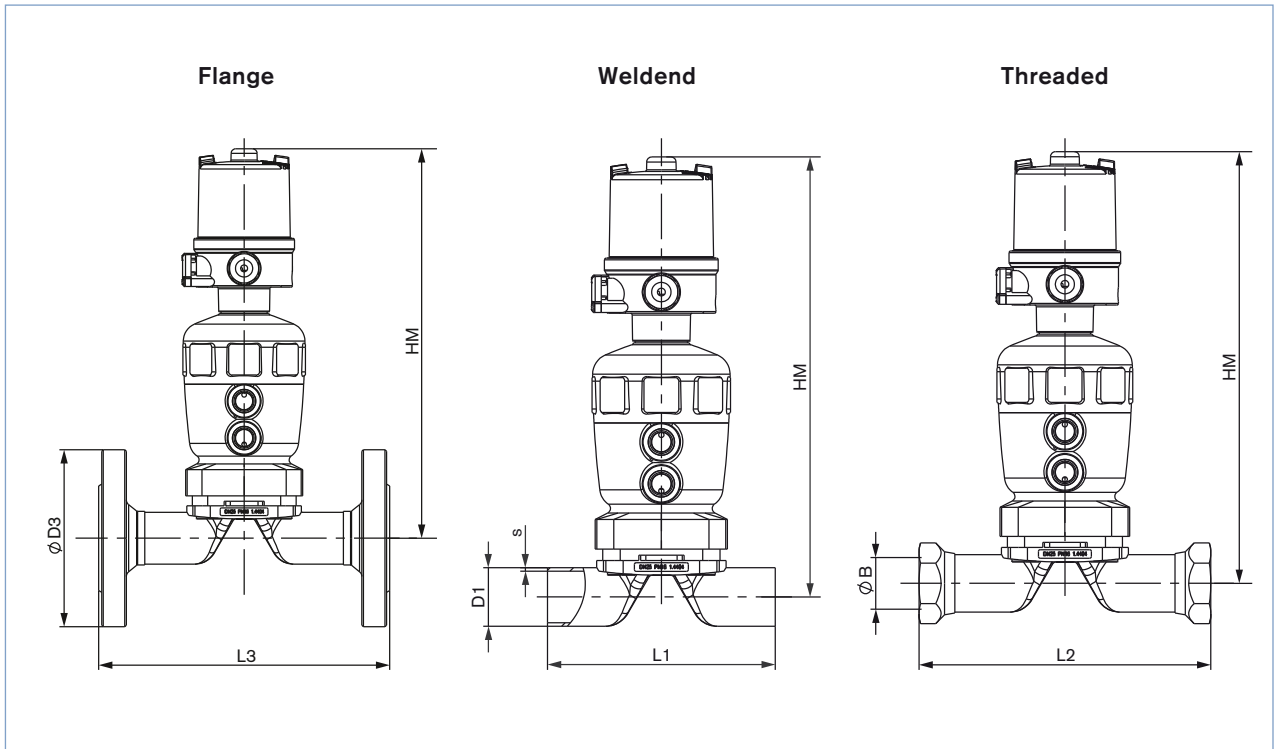
Benefits

- Easy and quick installation
- High level of signal reliability thanks to self adjusting limit switches
- Signal safety through the automatic adjustment of the limit switches
- Minimised space requirement in the plant piping for more flexibility in plant design

Click on the orange box „More info“... you will come to our website for the resp. product where you can download the data sheet.

Dimensions for valve system On/Off Classic Type 8803-DB [mm]

Dimensions valve system On/Off Classic Type 8803-DB with electrical position feedback Type 8697



Port connection [mm]	Actuator size [mm]	Connection [mm]													
		Flange DIN EN 1092-1			Weld end EN ISO 1127/ISO 4200				DIN 11850 Series 2				Threaded		
		HM	D3	L3	HM	D1	L1	s	HM	D1	L1	s	HM	B	L2
8	40	-	-	-	185.9	13.5	90	1.6	-	-	-	-	185.9	G ¼	85
10	40	-	-	-	-	-	-	-	185.9	12.9	90	1.3	-	-	-
15	50	216.9	95	130	216.9	21.3	110	1.6	216.9	19	110	1.5	216.9	G ½	102
15	63	233.9	95	130	233.9	21.3	110	1.6	233.9	19	110	1.5	233.9	G ½	102
20	63	242.9	105	150	242.9	26.9	119	1.6	234.9	23	119	1.5	242.9	G ¾	118
20	80	268.9	105	150	268.9	26.9	119	1.6	-	-	-	-	268.9	G ¾	118
25	63	251.9	115	160	251.9	33.7	129	2	243.9	29	129	1.5	251.9	G 1	127
25	80	271.9	115	160	271.9	33.7	129	2	264.9	29	129	1.5	271.9	G 1	127
32	80	-	-	-	-	-	-	-	271.9	35	148	1.5	-	-	-
32	100	324.9	140	180	324.9	42.4	148	2	-	-	-	-	324.9	G 1¼	146
40	100	329.9	150	200	329.9	48.3	161	2	321.9	41	161	1.5	329.9	G 1½	159
40	125	368.9	150	200	368.9	48.3	161	2	-	-	-	-	368.9	G 1½	159
50	100	338.9	165	230	338.9	60.3	192	2	331.9	53	192	1.5	338.9	G 2	191
50	125	372.9	165	230	372.9	60.3	192	2	368.9	53	192	1.5	372.9	G 2	191

Valve system On/Off Classic Type 8801-DB/8803-DB – request for quotation

Please fill out and send to your nearest Bürkert facility* with your inquiry or order

Company	Contact person
Customer no.	Department
Address	Tel./Fax
Postcode/town	E-Mail

= mandatory fields to fill out Quantity Required delivery date

Operating data

Pipeline DN PN

Pipe material

Process medium

Type of medium Liquid Steam Gas
standard unit

Flow rate (Q, Q_N, W) ¹⁾ standard unit

Temperature at valve inlet

Absolute pressure at valve inlet

Steam sterilisation temperature

¹⁾ standard unit: Liquid Q = m³/h; Steam W = kg/h; Gas Q_N = Nm³/h

Valve features

Specification key

automatically transferred from last page

[go to page](#)

Surface finish (if not standard)

internal μm external μm

Pilot pressure

min. max.

Automation unit features

Click on the orange box „More info“... you will come to our website for the resp. product where you can download the data sheet.

Electrical position feedback

Type 8697

For actuator size 40 to 225

[More info.](#)



- LED position indicator
- Mechanical or inductive limit switches for end position registering
- Housing with IP65/IP67, 4X rating protection
- Optional intrinsically safe version acc. to ATEX / IECEx

Position feedback switches

- Micro switch 24 V DC
- Micro switch 50 – 225 V DC/AC
- Inductive switch 3-wire PNP
- Inductive switch 2-wire NAMUR
- Inductive switch 2-wire 24 V DC

Electrical connection

- Cable gland
- M12 connector
(applicable only with inductive switch 3-wire PNP)

Number of Position feedback switches

2x

Approval

- ATEX cat. 3GD, IECEx
- ATEX cat. 2DG, IECEx
- without

Valve system On/Off Classic Type 8801-DB/8803-DB – request for quotation, *continued*

Valve accessories	
Pilot valve	Stroke limitation
<input type="checkbox"/> Pilot valve	<input type="checkbox"/> Stroke limitation
Power supply <input type="text"/>	<input type="checkbox"/> Min./max. stroke limitation , with visual position indicator
	<input type="checkbox"/> Max. stroke limitation , without visual position indicator
Please specify item no. if known: <input type="text"/>	Please specify item no. if known: <input type="text"/>

Certifications
<input type="checkbox"/> Attestation of compliance with the order EN-ISO 10204 2.1 (Item no. 440788)
<input type="checkbox"/> Test report EN-ISO 10204 2.2 (Item no. 803722)
<input type="checkbox"/> FDA - USP certificate

Comment / sketch

DTS 1000049857 EN Version: S Status: RL (released | freigegeben | valide) printed: 11.02.2020

*To find your nearest Bürkert facility, click on the orange box → www.burkert.com

Valve features, specification key

Example

A 15 AD VA SA42 NO05

Specification key

Please make a choice

CONTROL FUNCTION

A	normally closed by spring action
B	normally open by spring action
I	double acting

ORIFICE (Diaphragm size) [mm]

08
15
20
25
32
40
50

SEAL MATERIAL

AD	EPDM
EA	PTFE/EPDM
FF	FKM
EU	advanced PTFE/EPDM in two pieces

BODY MATERIAL

VA	Cold-formed stainless steel 1.4404/316L
----	--

VARIABLE CODES

Surface finish, internal	
NO05	Internal glass beaded Ra=1.6µm



PORT CONNECTION

Welded

Port conn. [mm]	EN ISO 1127/ ISO 4200	DIN 11850 Series 2
8	SA40=13.5 × 1.6	
10	SA41=17.2 × 1.6	SD40=13 × 1.5
15	SA42=21.3 × 1.6	SD42=19 × 1.5
20	SA43=26.9 × 1.6	SD43=23 × 1.5
25	SA44=33.7 × 2.0	SD44=29 × 1.5
32	SA45=42.4 × 2.0	SD45=35 × 1.5
40	SA46=48.3 × 2.0	SD46=41 × 1.5
50	SA47=60.3 × 2.0	SD47=53 × 1.5

Flange

Port conn. [mm]	DIN EN 1092-1
15	FD22 - L=130 mm, Ø=95 mm
20	FD23 - L=150 mm, Ø=105 mm
25	FD24 - L=160 mm, Ø=115 mm
32	FD25 - L=180 mm, Ø=140 mm
40	FD26 - L=200 mm, Ø=150 mm
50	FD27 - L=230 mm, Ø=165 mm

Thread

Port conn. [mm]	G
8	GM82 - G ¼
15	GM84 - G ½
20	GM85 - G ¾
25	GM86 - G 1
32	GM87 - G 1¼
40	GM88 - G 1½
50	GM89 - G 2