



## Pneumatically operated 2/2 way diaphragm valve CLASSIC with plastic body

- Flow optimised and deadleg free bodies
- Hermetical separation of fluids from the operating mechanism by diaphragm
- Robust actuators with modular accessory program
- Self-draining plastic bodies with true union, solvent socket, weld ends or flanges
- Applicable for aggressive and corrosive media

For process valves with decentralized automation see ELEMENT Type 2103

Type 2030 can be combined with...



**Type 8697**  
Pneumatic control unit



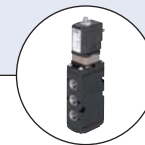
**Type 3232**  
Manual diaphragm Valve



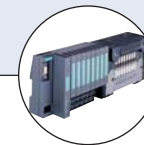
**Type 6012**  
Plunger valve



**Type 6014**  
Plunger valve



**Type 6519**  
Servo-assisted solenoid valve

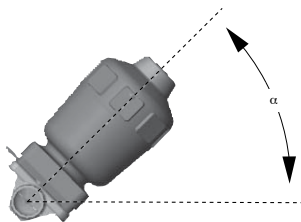


**Type 8644**  
AirLINE system

Pilot controlled diaphragm valve with piston actuator and diaphragm seal. As standard, actuator from PA. The flow optimised and zero dead volume valve body makes high flow rates possible.

### Installation for self-draining

$\alpha = 15^\circ$  up to  $30^\circ$  plus  $3^\circ$  up to  $5^\circ$  inclination to pipe axis

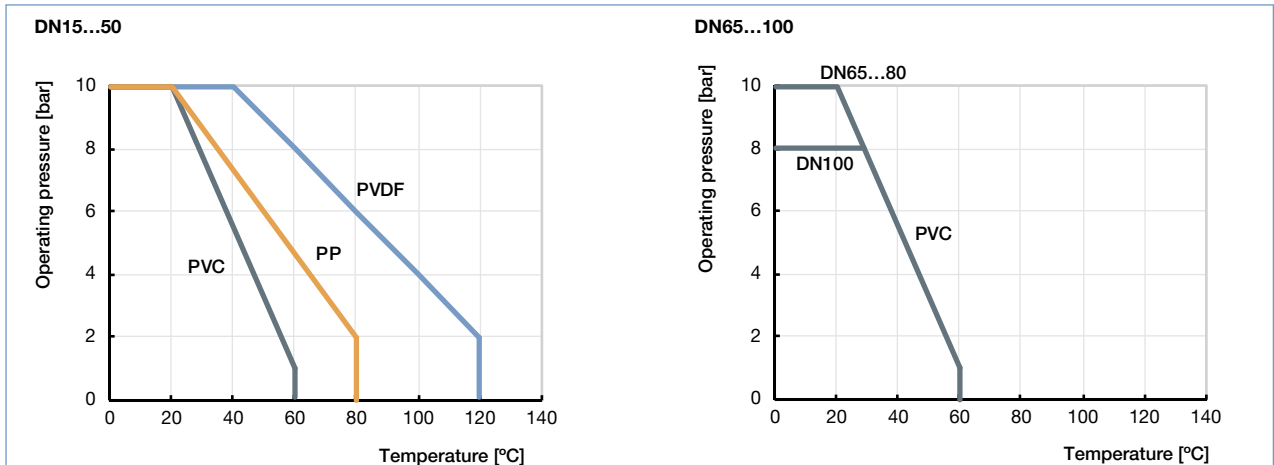


### Technical data

<b>Orifice</b> (diaphragm size)	DN15...100
<b>Body materials</b>	PVC-U, PP, PVDF
<b>Actuator material</b>	PA polyamide (PPS on request)
<b>Seal material</b>	EPDM, PTFE/EPDM
<b>Media</b>	Neutral gases and liquids, aggressive or abrasive media
<b>Viscosity</b>	Up to viscous
<b>Media temperature</b>	See charts p. 2
<b>Ambient temperature</b>	- 10 to +60 °C (PA) Actuator size $\geq 175$ mm: - 10 to +50 °C
<b>Control medium</b>	Neutral gases, air
<b>Port connections</b>	DN15...50: True union and spigot connections DN65: Loose flanges DN80...100: Fixed flanges
<b>Installation</b>	As required, preferably with actuator in upright position

## Media temperature

### Pressure-temperature compatibility charts

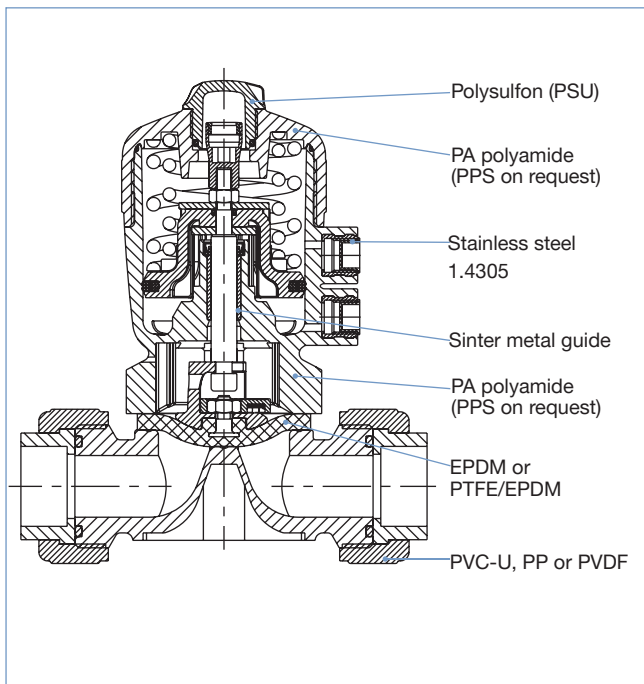


#### Important for the material selection!

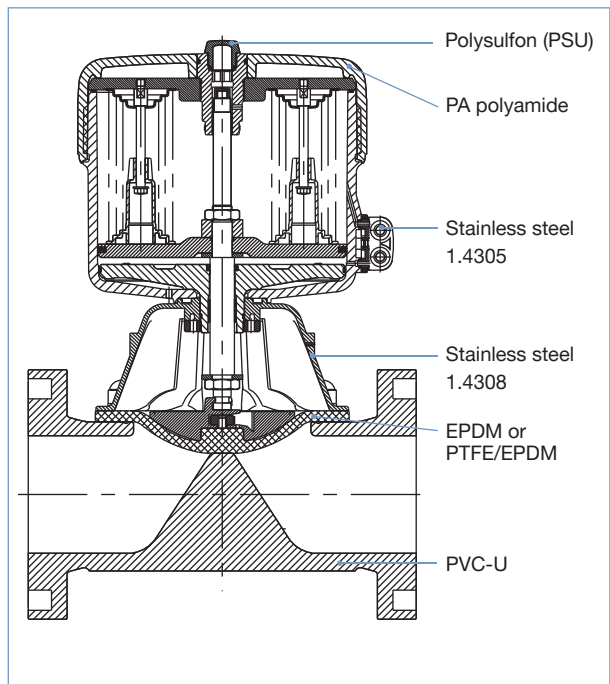
Note that the permissible operating pressure is dependent on the media temperature.

## Materials

### DN15...50



### DN65...100



## Approvals

### Suitable for foodstuffs

- The composition of the EPDM and PTFE/EPDM diaphragms corresponds to the *Code of Federal Regulations*, published by the *FDA* (Food and Drug Administration, USA).



## Ordering chart for diaphragm valves with piston actuator (other versions on request)

Body in PVC-U with true union or spigot connections  
DN15...50

Control function	Port connection [mm]	Orifice Diaphragm size [mm]	Actuator size Ø [mm]	K <sub>v</sub> value water [m <sup>3</sup> /h]	Minimum pilot pressure [bar]	Operating pressure [bar]	Item no. true union		
<b>Seal material EPDM</b>									
<b>A</b>  2/2 way, NC by spring action	20	15	50	3.0	5.0	8.5	317 273		
			63	3.5	5.0	10	317 274		
	25	20	63	7.0	5.5	10	317 276		
			32	25	80	11.0	5.5	10	317 277
			40	32	100	18.0	5.5	10	317 278
			50	40	100	24.0	5.5	6.5	317 279
			125	26.0	5.5	10	317 280		
63	50	125	43.0	5.5	8	317 281			
<b>B</b>  2/2 way, NO by spring action	20	15	50	3.0	see chart 1 on p. 5	10	317 275		
			63	7.0		10	317 282		
	25	20	63	11.0	see chart 2 on p. 5	10	317 284		
			40	32		100	18.0	10	317 285
			50	40	100	24.0	10	317 286	
			63	50	125	43.0	10	317 287	
			<b>Seal material PTFE/EPDM</b>						
<b>A</b>  2/2 way, NC by spring action	20	15	50	3.0	5.0	5	262 237		
			63	3.5	5.0	10	262 245		
	25	20	63	7.0	5.5	5	262 760		
			80	7.0	5.0	10	262 742		
			32	25	80	11.0	5.5	7.5	262 744
			40	32	100	18.0	5.5	8	262 746
			50	40	100	24.0	5.5	6.0	262 761
125	26.0	5.5	10	262 749					
<b>B</b>  2/2 way, NO by spring action	20	15	63	3.5	see chart 3 on p. 5	10	262 306		
			80	7.0		10	262 753		
	25	20	80	11.0	see chart 4 on p. 5	10	262 755		
			40	32		100	18.0	10	on request
			50	40	125	26.0	10	262 758	
			63	50	125	43.0	10	274 572	

**i Further versions on request**
**Materials**

Actuator: PPS

**Control function**

I Double-acting actuator

**Port connection**

Spigot

## Ordering chart for diaphragm valves with piston actuator (other versions on request)

Body in PP with true union or spigot connections  
DN15...50

Control function	Port connection [mm]	Orifice Diaphragm size [mm]	Actuator size Ø [mm]	K <sub>v</sub> value water [m <sup>3</sup> /h]	Minimum pilot pressure [bar]	Operating pressure [bar]	Item no. true union	Item no. spigot		
<b>Seal material EPDM</b>										
<b>A</b>  2/2 way, NC by spring action	20	15	50	3.0	5.0	8.5	317 258	317 235		
			63	3.5	5.0	10	317 259	317 237		
	25	20	63	7.0	5.5	10	317 260	317 250		
			32	25	80	11.0	5.5	10	317 261	317 238
			40	32	100	18.0	5.5	10	317 262	317 240
			50	40	100	24.0	5.5	6.5	317 263	317 241
					125	26.0	5.5	10	317 265	317 242
63	50	125	43.0	5.5	8	317 266	317 243			
<b>B</b>  2/2 way, NO by spring action	20	15	50	3.0	see chart 1 on p. 5	10	317 267	317 244		
			63	3.5	5.0	10	317 268	317 245		
	25	20	63	7.0	5.5	10	317 269	317 251		
			32	25	80	11.0	5.5	10	317 270	317 246
			40	32	100	18.0	5.5	10	317 271	317 247
			50	40	100	24.0	5.5	10	317 272	317 249
					125	26.0	5.5	10	317 272	317 249
63	50	125	43.0	5.5	10	317 272	317 249			
<b>Seal material PTFE/EPDM</b>										
<b>A</b>  2/2 way, NC by spring action	20	15	50	3.0	5.0	5	154 770	144 295		
			63	3.5	5.0	10	154 781	141 454		
	25	20	63	7.0	5.5	5	154 784	144 299		
			32	25	80	11.0	5.5	7.5	154 785	141 464
			40	32	100	18.0	5.5	8	154 787	141 471
			50	40	100	24.0	5.5	6.0	154 789	141 477
					125	26.0	5.5	10	154 792	144 303
63	50	125	43.0	5.5	7	154 793	141 486			
<b>B</b>  2/2 way, NO by spring action	20	15	63	3.5	see chart 3 on p. 5	10	154 795	141 492		
			80	7.0	10	154 807	141 502			
	25	20	80	11.0	10	154 810	141 513			
			32	25	80	11.0	10	154 812	141 520	
			40	32	100	18.0	10	154 814	141 526	
			50	40	125	26.0	10	154 817	141 535	
					125	43.0	10	154 819	141 541	

## Further versions on request

**Materials**

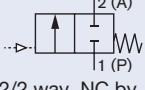
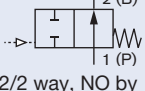
Actuator: PPS

**Control function**

I Double-acting actuator

## Ordering chart for diaphragm valves with piston actuator (other versions on request)

Body in PVDF with true union or spigot connections  
DN15...50

Control function	Port connection [mm]	Orifice Diaphragm size [mm]	Actuator size Ø [mm]	K <sub>v</sub> value water [m <sup>3</sup> /h]	Minimum pilot pressure [bar]	Operating pressure [bar]	Item no. true union	Item no. spigot		
<b>Seal material PTFE/EPDM</b>										
<b>A</b>  2/2 way, NC by spring action	20	15	50	3.0	5.0	5	154 796	144 296		
			63	3.5	5.0	10	154 797	141 453		
	25	20	63	7.0	5.5	5	154 798	144 300		
			80	7.0	5.0	10	154 799	141 463		
			32	25	80	11.0	5.5	7.5	154 800	141 470
			40	32	100	18.0	5.5	8	154 801	141 476
			50	40	100	24.0	5.5	6.0	154 802	144 337
63	50	125	26.0	5.5	10	154 803	141 485			
63	50	125	43.0	5.5	7	154 804	141 491			
<b>B</b>  2/2 way, NO by spring action	20	15	63	3.5	see chart 3 underneath	10	154 820	141 501		
	25	20	80	7.0		10	154 821	141 512		
	32	25	80	11.0		10	154 822	141 519		
	40	32	100	18.0	see chart 4 underneath	10	154 823	141 525		
	50	40	125	24.0		10	154 824	141 534		
	63	50	125	43.0		10	154 825	141 540		

 Further versions on request


## Materials

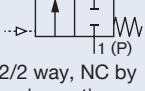
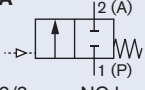
Actuator: PPS



## Control function

I Double-acting actuator

Body in PVC-U with flange connection  
DN65...100

Control function	Port connection	Orifice Diaphragm size [mm]	Actuator size Ø [mm]	K <sub>v</sub> value water [m <sup>3</sup> /h]	Minimum pilot pressure [bar]	Operating pressure [bar]	Item no. flanges
<b>Seal material EPDM</b>							
<b>A</b>  2/2 way, NC by spring action	Loose flanges	65	125	55.0	5.5	7	317 257
			175	60	4.5	8	317 252
	Fixed flanges	80	175	100	5.0	5	317 253
			225	100	5.0	10	317 254
Fixed flanges	100	225	160	5.0	8	317 255	
<b>Seal material PTFE/EPDM</b>							
<b>A</b>  2/2 way, NC by spring action	Loose flanges	65	125	55	5.5	4.5	149 296
			175	60	4.5	5	147 845
	Fixed flanges	80	175	100	5.0	4.5	147 847
			225	100	5.0	10	147 849
Fixed flanges	100	225	160	5.0	4	147 850	

Pilot pressure charts for control function B

Seal material EPDM

Chart 1 – orifice 15...25

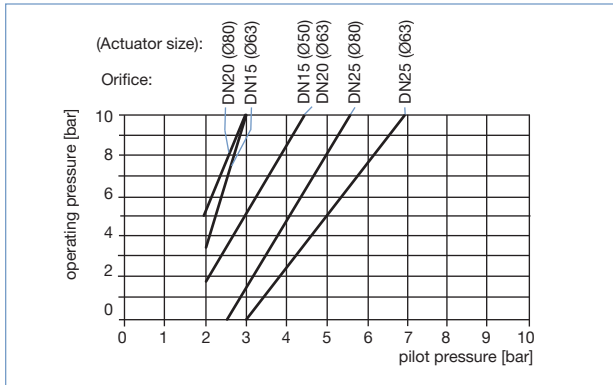
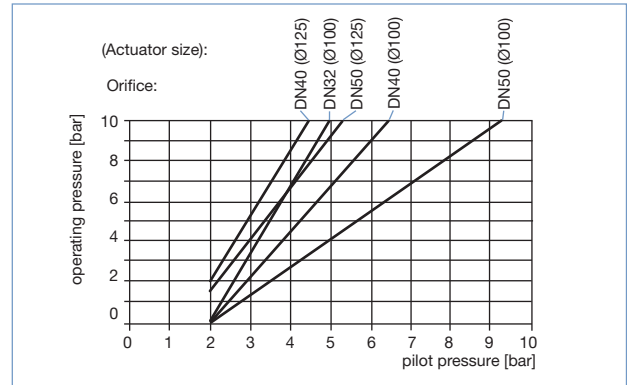


Chart 2 – orifice 32...50



Seal material PTFE/EPDM (EA)

Chart 3 – orifice 15...25

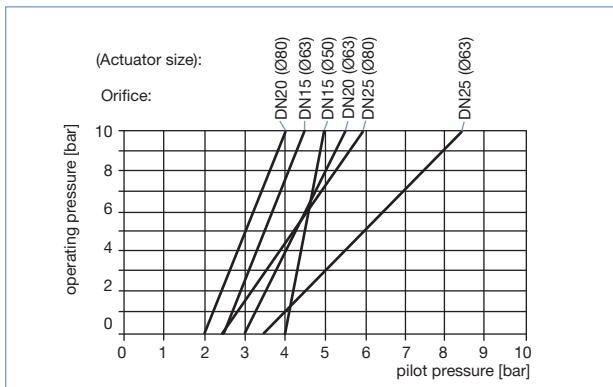
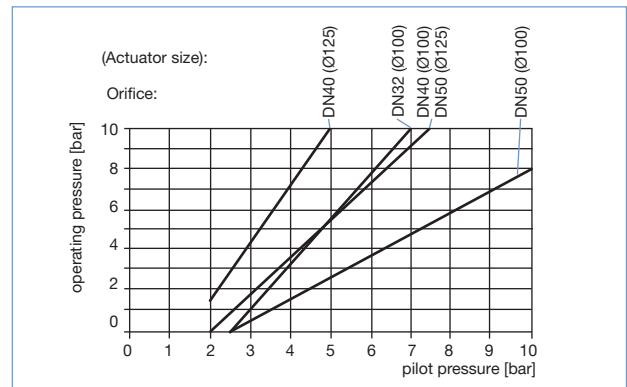


Chart 4 – orifice 32...50



Ordering chart for accessories

3/2 way pilot valves with banjo bolts

Seal material valve FKM, seal material banjo bolt NBR

Valve for actuator size [Ø mm]	Type	Pressure inlet P (valve body)	Service port A (banjo bolt)	Orifice [mm]	Q <sub>in</sub> value air [l/min]	Pressure range [bar]	Electrical coil connection Ind. Std.	Power consumption [W]	Item no. Voltage/frequency [V/Hz] 024/DC	Item no. Voltage/frequency [V/Hz] 230/50
50	6012P	G ¼	G ½	1.2	48	0...10	Form B	4	552 295	552 298
63	6012P	Tube fitting Ø6 mm	G ¼	1.2	48	0...10	Form B	4	552 283	552 286
63...125	6014P	G ¼	G ¼	2	120	0...10	Form A	8	424 103	424 107
175...225	6014P	G ½	G ¼	2.5	174	0...6	Form A	8	786 014	786 015
175...225	0331P	G ¼	G ¼	3	194	0...10	Form A	8	-	041 233

Cable plug Type 2507, Form B or Type 2508, Form A

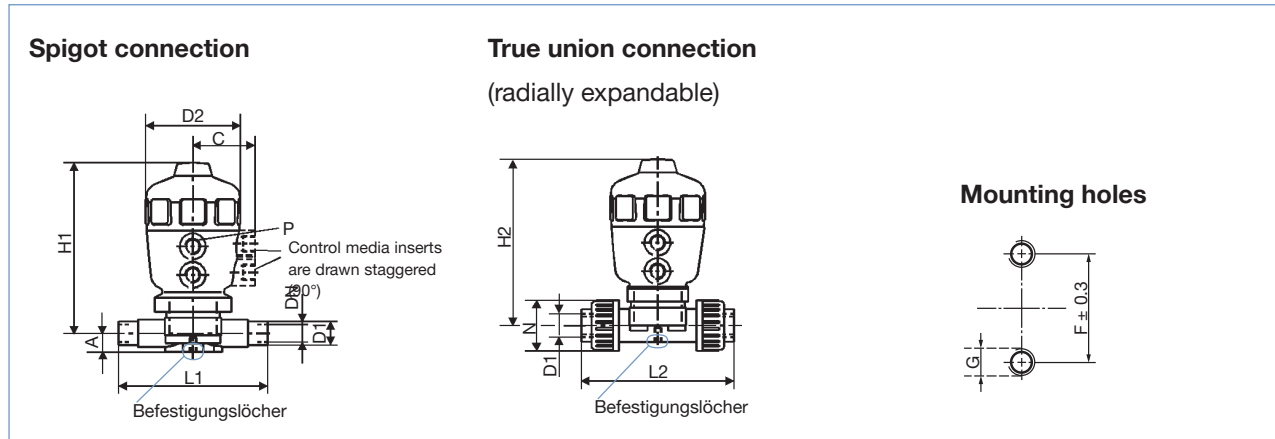
	Item no.
Type 2507, Form B Industrial standard, 0...250 V without circuitry (Type 6012 P)	423 845
Type 2508, Form A acc. DIN EN 175 301-803, 0...250 V without circuitry (Type 6014 P, Type 0331P)	008 376

For further accessories see the datasheet for Type 1062 or the accessories datasheet, Type 2XXX for the full options programme.

**Note:** For design reasons, some of the accessories cannot be supplied for actuator size Ø 40, 175 and 225 mm. Please request the accessories datasheet Type 2XXX.

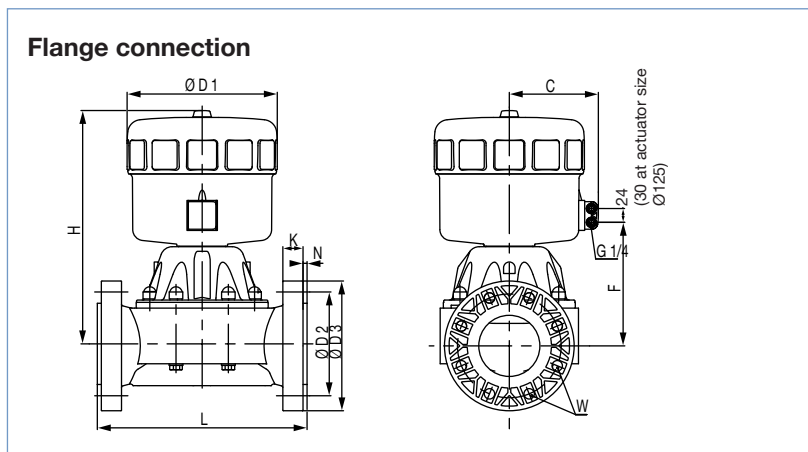
Dimensions [mm]

DN15...50



Orifice [mm] (diaphragm size)	All bodies							Spigot connection			True union connection		
	Actuator size Ø	C	D1	D2	P	F ±0.3	G	A	H1	L1	L2	H2	N
15	50	39	20	64	G 1/8	25	M6	14	121	124	128	123	43
	63	52	20	80	G 1/4	25	M6	14	137	124	128	139	43
20	63	52	25	80	G 1/4	25	M6	18	146	144	152	148	53
	80	60	25	101	G 1/4	25	M6	18	172	144	152	173	53
25	80	60	32	101	G 1/4	25	M6	21	175	154	166	176	60
32	100	73	40	127	G 1/4	45	M8	26	229	174	192	231	74
40	100	73	50	127	G 1/4	45	M8	33	236	194	222	239	83
	125	86	50	153	G 1/4	45	M8	33	276	194	222	277	83
50	125	86	63	153	G 1/4	45	M8	39	283	224	266	284	103

DN65...100



Orifice [mm] (diaphragm size)	Actuator size	Port connection	C	D1	D2	D3	F	H	K	L	W
65	125	Loose flanges	86	158	145	185	129	295	29	290	4 × 90°
	175	Loose flanges	130	211	145	185	180	387	29	290	4 × 90°
80	175	Fixed flanges	130	211	160	200	197	398	36	310	8 × 45°
	225	Fixed flanges	155	261	160	200	198	393	36	310	8 × 45°
100	225	Fixed flanges	155	261	180	225	210	410	36	350	8 × 45°

To find your nearest Bürkert facility, click on the orange box → [www.burkert.com](http://www.burkert.com)

In case of special application conditions, please consult for advice.

Subject to alteration.  
© Christian Bürkert GmbH & Co. KG

1710/15\_EU-en\_00891670